

HIGH PERFORMANCE PINCH VALVES TYPE RV



PROPERTIES

dimension: DN 25 - 1200 mm
installation length: DIN, ASME, ISO
media pressure: 1 - 40 bar
open/close valves
control valves (electrical/electro pneumatical)
stop valves

DESIGN FEATURES

full passage
both sides leak-tight
low pressure loss
no accretion
easy maintenance
integrated flange sealing

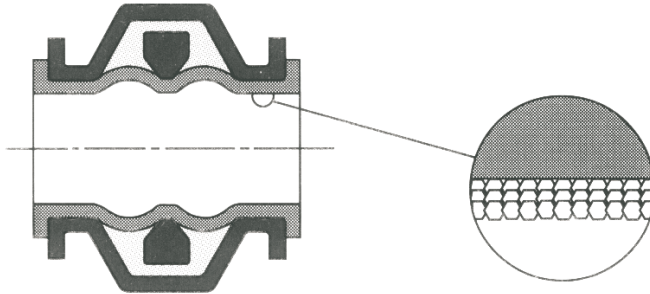
BRANCHES OF INDUSTRY

paper and pulp, waste water
chemical industry
pigments and fillers

glass and ceramics industry
pneumatic conveying systems
ash, fly ash...

SMOOTH FUNCTION

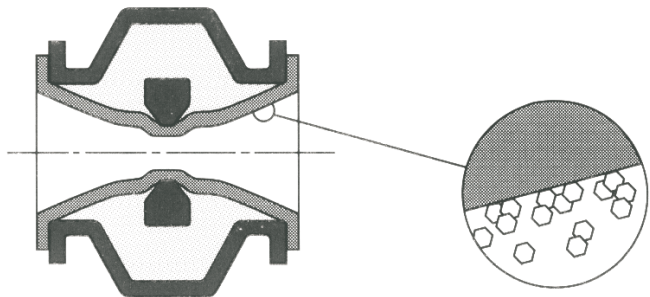
VALVE OPEN



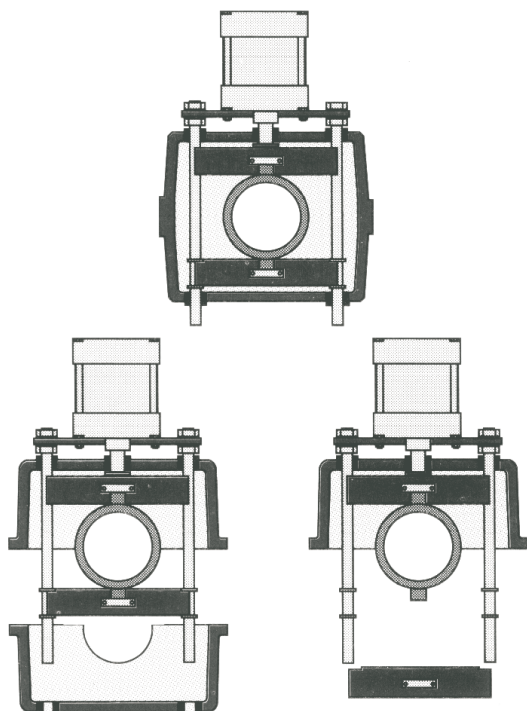
ADVANTAGES

- no plugging
- beginning incrustations are released by opening and closing from the wall of the sleeve and removed by the flowing medium
- various installation lengths acc. to DIN, ISO, ASME

VALVE BEING CLOSED



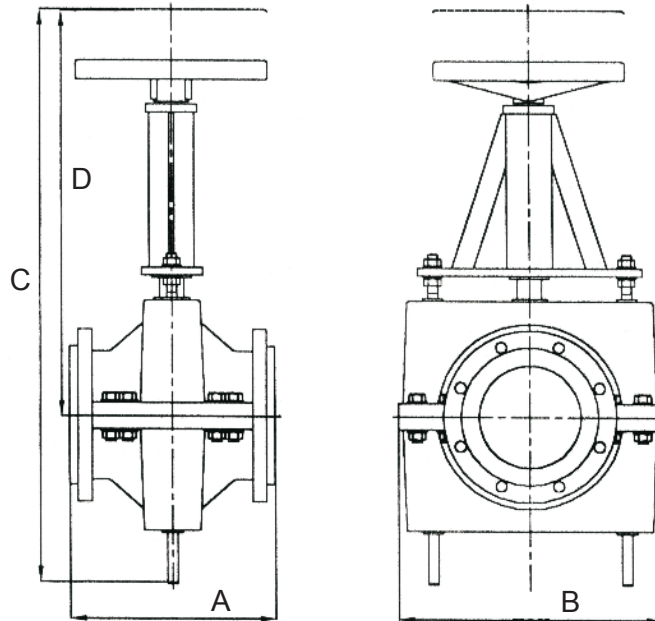
EASY MAINTENANCE



SLEEVE EXCHANGE

- sleeve can be changed easily by loosening the lower valve body (binding screws)
- easily done directly on location without removing the valve from the line
- no special tools and no preparation of sealing surface required (basic version).

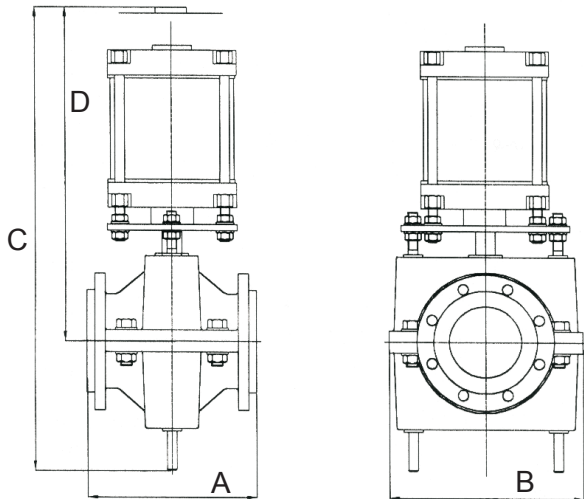
HANDWHEEL PINCH VALVES TYPE RV



DN	A	B	C	D
25	127	182	369	268
32	140	195	394	282
40	165	205	417	299
50	178	242	476	345
65	190	248	511	366
80	203	282	561	398
100	300	316	690	489
125	325	342	785	558
150	350	400	923	658
200	400	516	1131	799
250	450	580	1280	890
300	500	720	1480	1030

- Standard dimensions shown in table above. Changes possible depending on valve configurations.
- DN 350 up to DN 1000 and other configurations upon request.

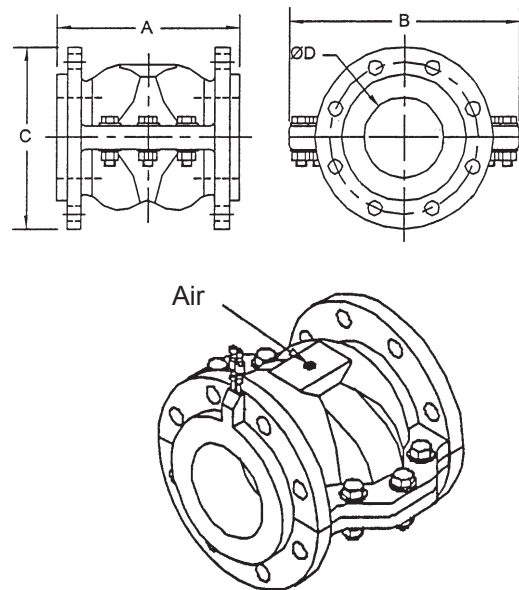
PNEUMATIC PINCH VALVES TYPE RV



DN	A	B	C	D
25	127	182	415	313
32	140	195	438	325
40	165	205	469	350
50	178	242	543	412
65	190	248	586	443
80	203	282	603	439
100	300	316	737	532
125	325	342	730	537
150	350	400	958	698
200	400	516	1263	932
250	450	580	1680	1308
300	500	720	2141	1699

- Standard dimensions shown in table above. Changes possible depending on valve configurations.
- DN 350 up to DN 1000 and other configurations upon request.
- Min. control pressure to operate the valve = 6 bar, other pressures upon request.

PNEUMATIC PINCH VALVES TYPE RVA



DN	A	B	C	ØD
25	128	128	115	25
40	165	150	150	40
50	178	183	165	50
65	190	194	185	65
80	203	258	200	80
100	229	295	220	100
125	254	312	250	125
150	350	385	285	150
200	457	484	340	200
250	533	618	395	250
300	610	718	460	300
350	686	681	709	350

- By using air/fluid (differential pressure Δp 2-3 bar) supplied to the valve body the valve will be closed.